





Dip-Tech GP Series



DO MORE WITH GLASS

Dip-Tech GP Series - Configurations



	GP14	GP24	GP40	GP60
				
Printheads / Resolution	12PHs, Galaxy/720DPI			
Max. Throughput*	Up to 33 [sqm/h]			
Max. glass size [mm]	2400 X 1400	2400 x 2400	2400 x 4000	2400 x 6000
Min. glass size** [mm]	800 X 800			
Glass thickness*** [mm]	2-19			
Drop-Fix system	Included			
DXP 3.0 Advance****	Included			
Overall dimensions [mm]	3260 x 5095 x 1652	5460 x 5095 x 1652	9860 x 5095 x 1652	14260 x 5095 x 1652

* Indicative capacity (depends on: number of printheads per color, wet layer thickness, glass/print size); Based on the modes of GP Series.

** The machine can accommodate to smaller size/shaped glasses by using carrying glass or adapting plate.

*** Max. thickness depends on the total loaded glass's weight- should be defined by loading ratio of 50Kg/1sqm. 2-3mm thickness glasses can be printed by using carrying glass or adapting plate.

**** DXP Advanced includes- RIP, Pattern Generator, Color Atlas.

Dip-Tech GP14



Printheads / Resolution	12PHs, Galaxy/720DPI
Max. Throughput** [sqm/h]	Up to 33
Max. glass size [mm]	2400x1400
Min. glass size* [mm]	800x800
Glass thickness*** [mm]	2-19
Drop-Fix system	included
DXP 3.0 Advance	included

Dip-Tech GP14 – Glass applications



- Automotive, Bullet-Proof, Yachts
- Interior- Furniture
- Signage





Printheads / Resolution	12PHs, Galaxy/720DPI
Max. Throughput** [sqm/h]	Up to 33
Max. glass size [mm]	2400x2400
Min. glass size* [mm]	800x800
Glass thickness*** [mm]	2-19
Drop-Fix system	included
DXP 3.0 Advance	included

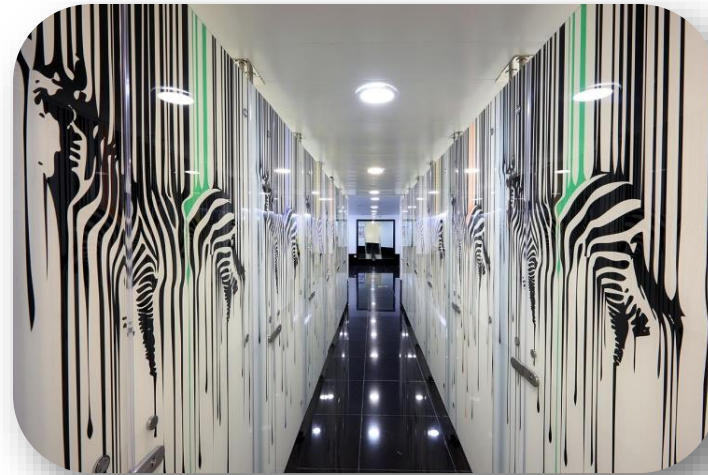
GP20 – Basic:

- Max. glass size: 2400x2000 [mm]
- Throughtput of up to 15 sqm/hr
- Without Drop-Fix
- DXP Basic (RIP only)

Dip-Tech GP24 – Glass application



- Exterior- Facades
- Interior- Partitions, Showers



Dip-Tech GP40



Printheads / Resolution	12PHs, Galaxy/720DPI
Max. Throughput** [sqm/h]	Up to 33
Max. glass size [mm]	2400x4000
Min. glass size* [mm]	800x800
Glass thickness*** [mm]	2-19
Drop-Fix system	included
DXP 3.0 Advance	included

GP36 – Basic:

- Max. glass size: 2400x3600 [mm]
- Throuput of up to 15 sqm/hr
- Without Drop-Fix
- DXP Basic (RIP only)

Dip-Tech GP40 – Glass applications



- Exterior – Large format Facades
- Exterior- Spandrels



Dip-Tech GP60



Printheads / Resolution	12PHs, Galaxy/720DPI
Max. Throughput** [sqm/h]	Up to 33
Max. glass size [mm]	2400x6000
Min. glass size* [mm]	800x800
Glass thickness*** [mm]	2-19
Drop-Fix system	included
DXP 3.0 Advance	included

Dip-Tech GP60 – Glass applications



- Exterior – Large format Facades
- Exterior- Spandrels



GPyramid



GP14



GP24

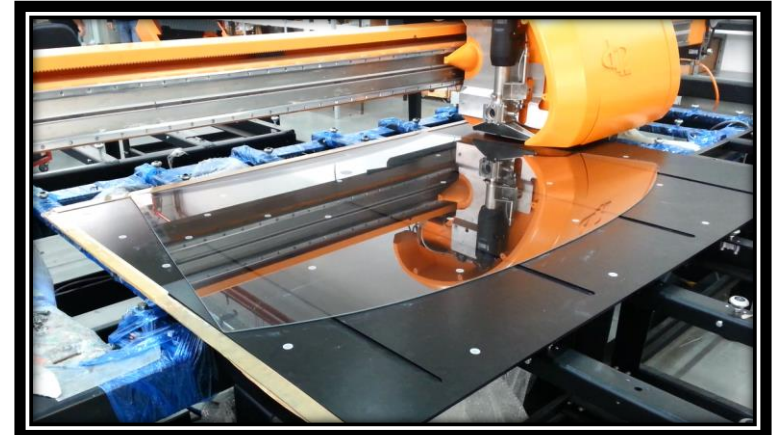
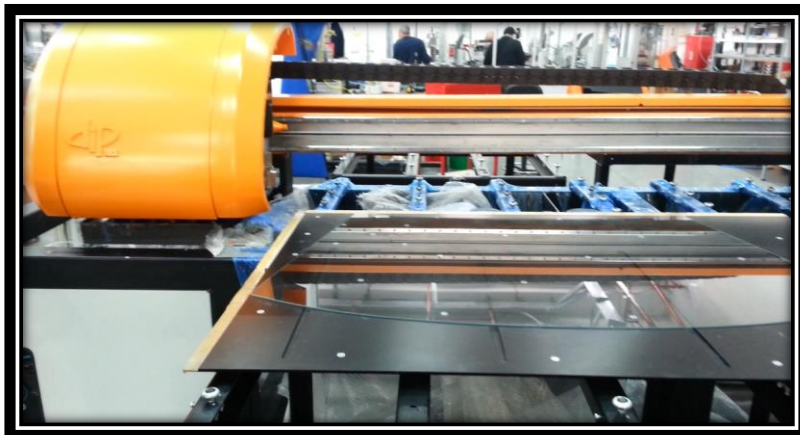


GP40



GP60

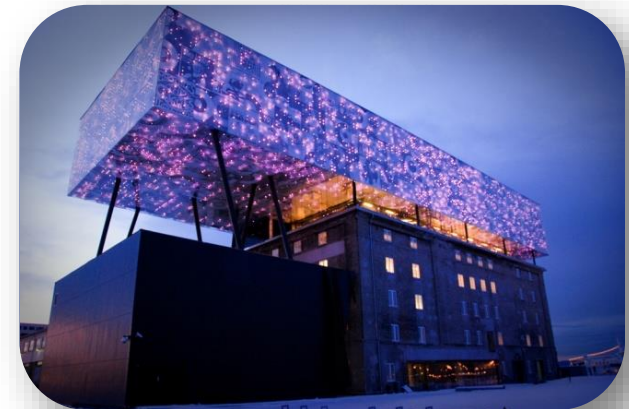
- Main features for automotive compatibility:
 - Drop-Fix system – ink fixation for quality printing
 - High resolution – 720 DPI
 - User friendly interface – easy to use and intuitive
 - Special Automotive adapting plate – for shaped glasses
 - Controlled wet layer thickness
 - Multi-color option (up to 6 colors)



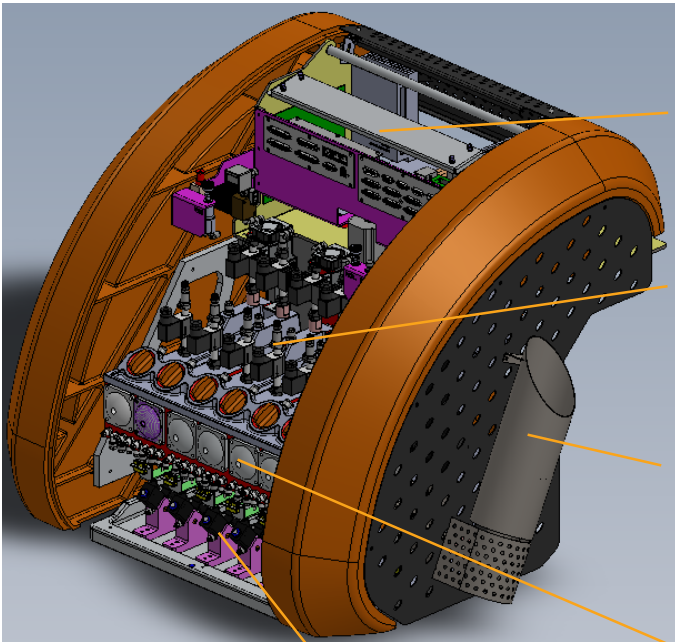
Dip-Tech GP Series – Throughput Modes



GP - Premium	Throughput [sqm/h]	Wet Layer microns
Super Fine	Up to 5	40 μ
Fine	Up to 8	40 μ
Normal	Up to 12	40 μ
Fast	Up to 20	40 μ
Faster	Up to 25	40 μ
Extreme	Up to 33	30 μ dots and lines



Dip-Tech GP machine's systems



Compact print heads carriage- designed for fast servicing

Quick release and connections

Drop-Fix system

6 horizontal ink tanks with transparent side panel for fast ink level indication and zero sedimentation

12 print heads 720 DPI



Drop-Fix System



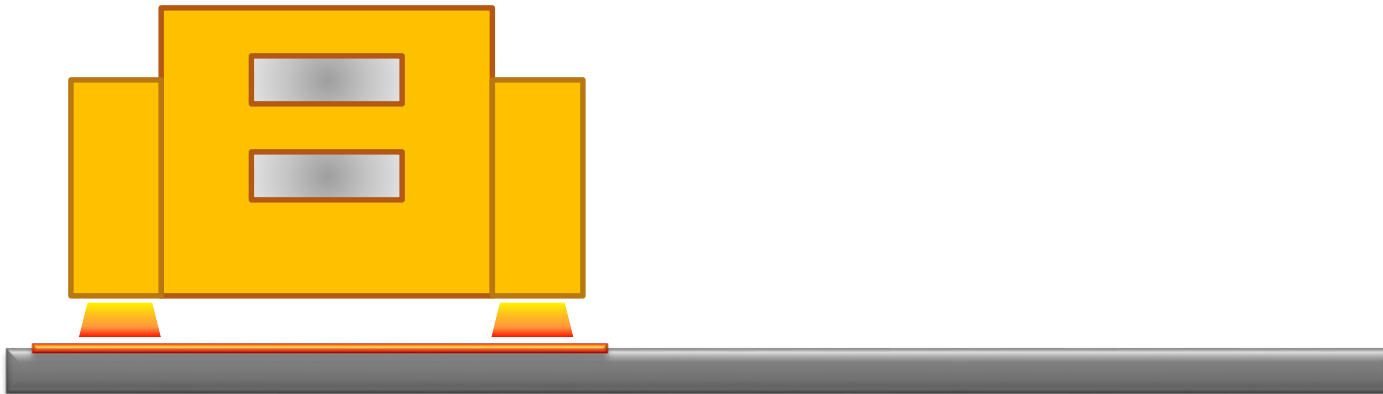
Faster evaporation of the ink's solvent provides:

- Finer dot size - Reducing drop expansion
- Improved Jetting accuracy
- Partial drop's drying
- Upper exhaust system to evacuate the hot air.



- + Smooth color transition (Gradient)
- + Smaller dot size/thinner line thickness
- + Smaller font
- + Reduces color migration
- + Detailed features – Barcode, QR code
- + Reduce exposure to dust

- ✓ Air Convection system ! (and not IR as competition)
- ✓ Helps to remove dust of glass during printing !
- ✓ Adjustable temperature !
- ✓ Adjustable speed !
- MUCH BETTER INK FIXATION ON THE GLASS !!!
- ***MUCH BETTER QUALITY ON GLASS !!!***



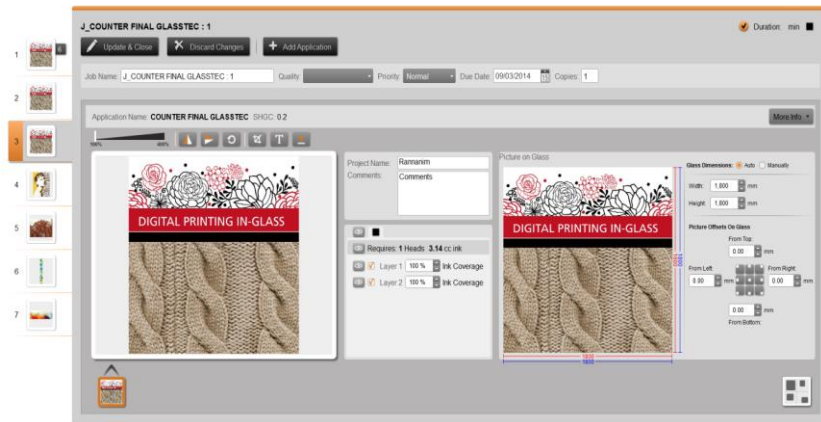
Workflow Software



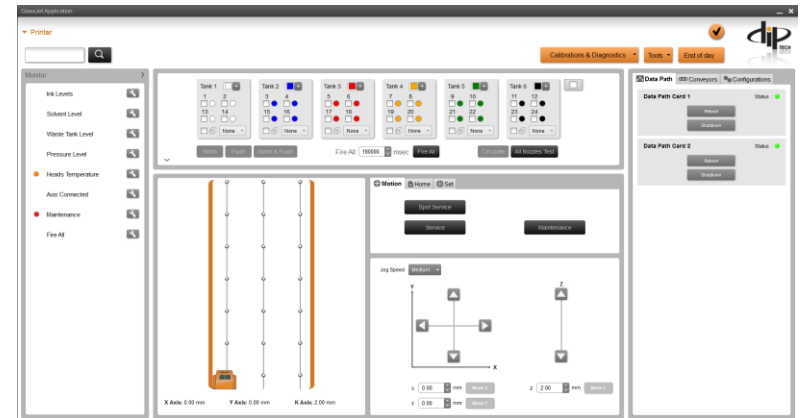
- ✓ Easy-To-Use Workflow!
- ✓ User friendly interface!
- ✓ Intuitive and supportive user experience!
- ✓ Cutting edge SW architecture!
- ✓ Multi Languages support: Chinese, Spanish, Turkish, Russian, Portuguese



Printing queue



Job editing

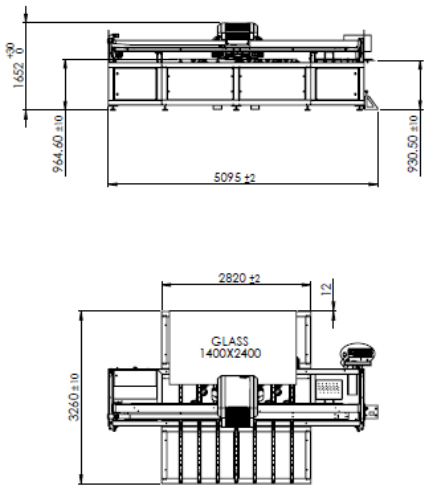


Printer maintenance

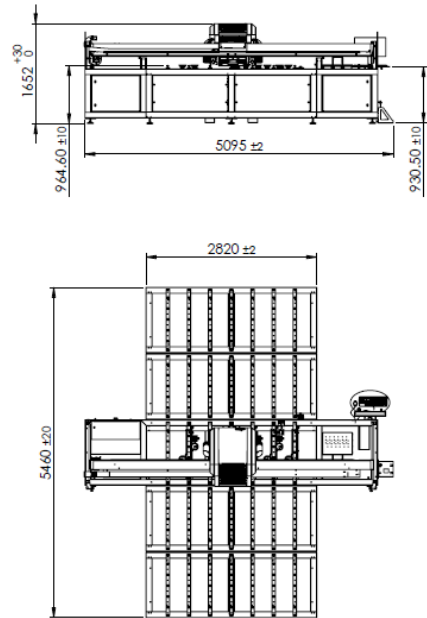
Dip-Tech GP Series – Layouts



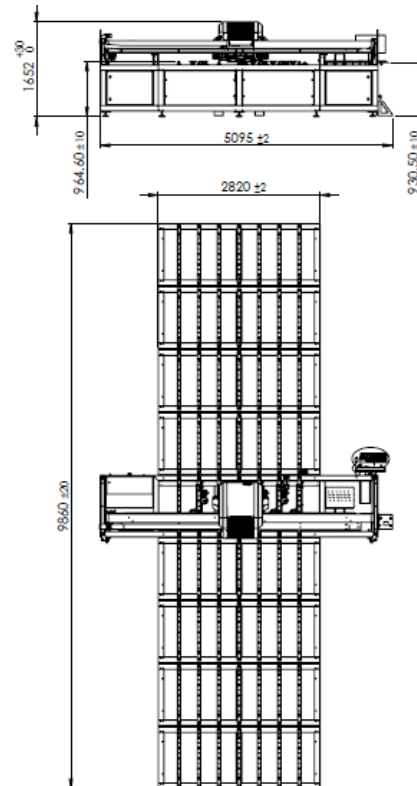
GP14



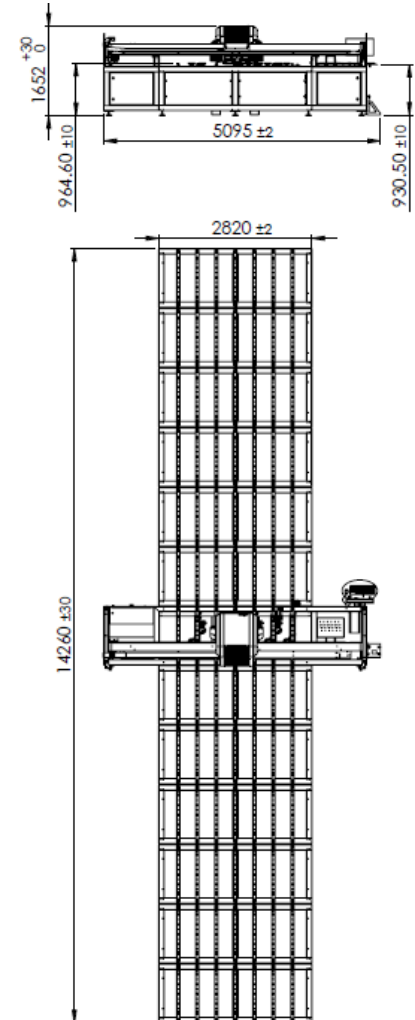
GP24



GP40



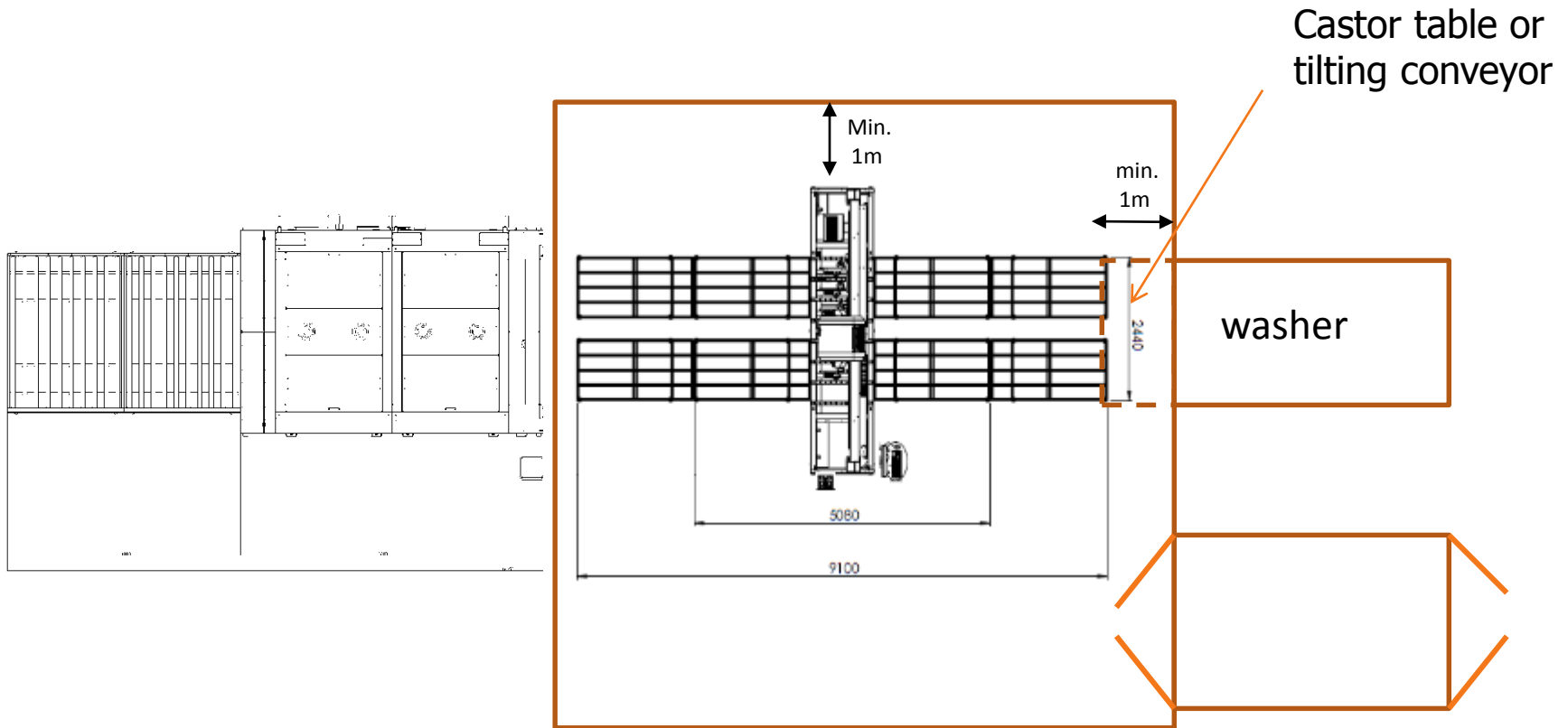
GP60



Dip-Tech GP Series – Clean Room Scheme



Example- washer & DIP Tech 40 & stand-alone dryer



Dip-Tech GP Series capabilities



- ✓ The GP is a **high quality digital printing** machine, and was **designed according to the vast experience** of Dip-Tech in the ceramic ink digital printing on glass !
- ✓ The GP offers **intuitive workflow and state-of-the-art User Friendly Interface** !
- ✓ The GP offers **automatic maintenance**, without any need for human intervention !
- ✓ Compatible with the **highest industry standards** !
- ✓ **SUPERIOR platform** for a wide range of **exterior and interior** architecture applications, transportation replacement, bullet proofing, and yacht glazing !
- ✓ Built for **HEAVY-DUTY** production !



Dip-Tech GP Series capabilities



- ✓ 1 address for machine & inks & software !
- ✓ The GP owner gains **the whole package of Dip-Tech**, including- technical and application support, business opportunities and leading industry know-how !
- ✓ The GP owner gets the **widest industry's color gamut** and the most vivid colors in the industry of glass ceramic ink digital printing !



- Time for installation?
 - **1 week**
- What factory's infrastructures needed?
 - **Electricity - 3 phase, Air-pressure – 6 Bar**
- What inks are used in the GP machine?
 - **All Dip-Tech ceramic inks series, same as offered for the AR/PRO system.**
- What is the amount of ink in each tank?
 - **750cc**
- Can the machine length be extended?
 - **Yes, with the purchase of extra roller caster tables the machine length can be extended up to 4 meter.**
- Can the machine be upgraded?
 - **Yes, you can upgrade the machine from Basic config.**
 - **Higher Throughput & Drop-Fix & DXP Advance & Larger Printing size**
- What shapes of glasses can be printed using the GP?
 - **Shaped glasses should be placed on a carrying glass or adapting plate**



DIGITAL PRINTING IN-GLASS

THANK YOU

DO MORE WITH GLASS

www.dip-tech.com